

# PRODUCT INFORMATION PACKET

Model No: 5KCR39SN2891X  
Catalog No: C1465  
1.5 HP Jet Pump Motor, 1 phase, 3600 RPM, 115/230 V, 56J Frame, ODP  
Jet Pump Motors



Regal and Marathon are trademarks of Regal Beloit Corporation or one of its affiliated companies.  
©2020 Regal Beloit Corporation, All Rights Reserved. MC017097E

REGAL



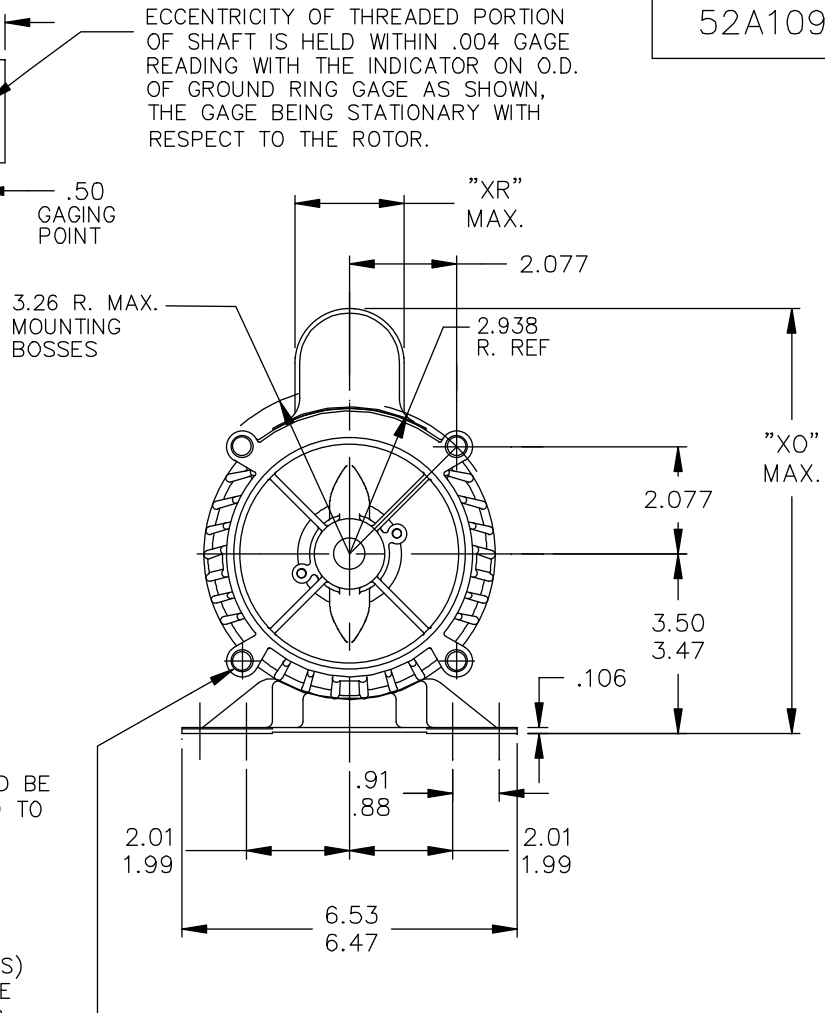
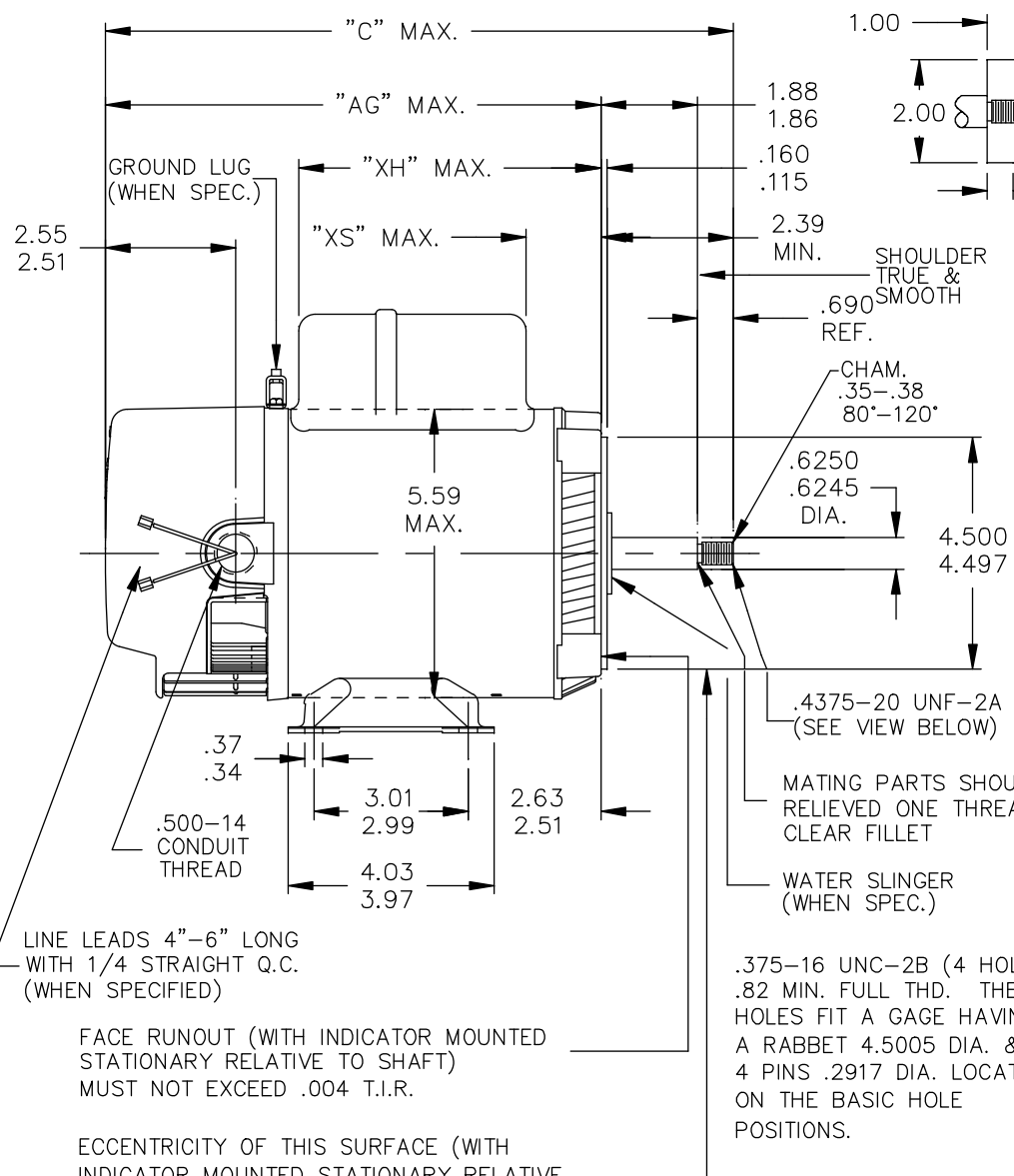
### Nameplate Specifications

Output HP	<b>1.50 Hp</b>	Output KW	<b>1.1 kW</b>
Frequency	<b>60 Hz</b>	Voltage	<b>115/230 V</b>
Current	<b>15.8,7.9 A</b>	Speed	<b>3450 rpm</b>
Service Factor	<b>1.3</b>	Phase	<b>1</b>
Efficiency	<b>76.1 %</b>	Power Factor	<b>0</b>
Duty	<b>Continuous</b>	Insulation Class	<b>B</b>
KVA Code	<b>K</b>	Frame	<b>56J</b>
Enclosure	<b>Drip Proof</b>	Thermal Protection	<b>AUTO</b>
Ambient Temperature	<b>50 °C</b>	Drive End Bearing Size	<b>6204</b>
Opp Drive End Bearing Size	<b>6203</b>	UL	<b>Recognized</b>
CSA	<b>Yes</b>	CE	<b>N</b>

### Technical Specifications

Electrical Type	<b>Capacitor Start Capacitor Run</b>	Starting Method	<b>SM</b>
Poles	<b>2</b>	Rotation	<b>Clockwise</b>
Mounting	<b>Rigid Base</b>	Motor Orientation	<b>ANY</b>
Drive End Bearing	<b>LOCKED</b>	Opp Drive End Bearing	<b>Ball</b>
Frame Material	<b>Rolled Steel</b>	Overall Length	<b>13.98 in</b>
Frame Length	<b>6.87 in</b>	Shaft Diameter	<b>0.630 in</b>
Shaft Extension	<b>2.39 in</b>		
Outline Drawing	<b>52A109358P1</b>	Connection Drawing	<b>52A106890</b>

This is an uncontrolled document once printed or downloaded and is subject to change without notice. Date Created:03/11/2020



LINE LEADS 4"-6" LONG WITH 1/4 STRAIGHT Q.C. (WHEN SPECIFIED)

FACE RUNOUT (WITH INDICATOR MOUNTED STATIONARY RELATIVE TO SHAFT) MUST NOT EXCEED .004 T.I.R.

ECCENTRICITY OF THIS SURFACE (WITH INDICATOR MOUNTED STATIONARY RELATIVE TO SHAFT) MUST NOT EXCEED .004 T.I.R.

MATING PARTS SHOULD BE RELIEVED ONE THREAD TO CLEAR FILLET

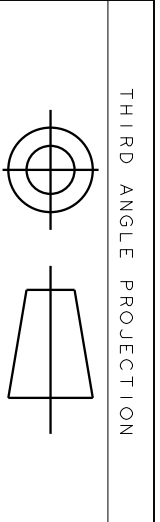
WATER SLINGER (WHEN SPEC.)

.375-16 UNC-2B (4 HOLES)  
.82 MIN. FULL THD. THESE HOLES FIT A GAGE HAVING A RABBET 4.5005 DIA. & 4 PINS .2917 DIA. LOCATED ON THE BASIC HOLE POSITIONS.

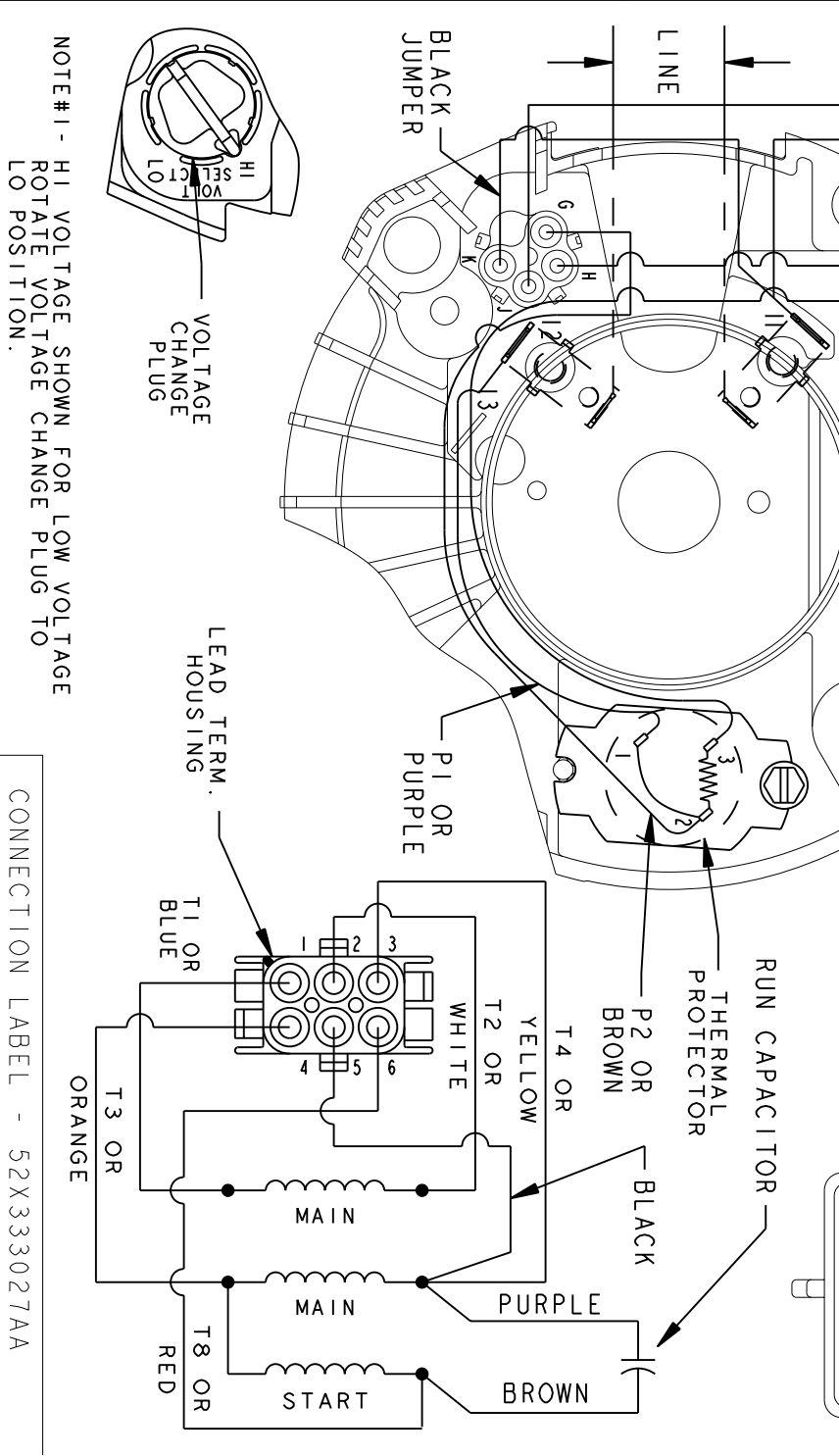
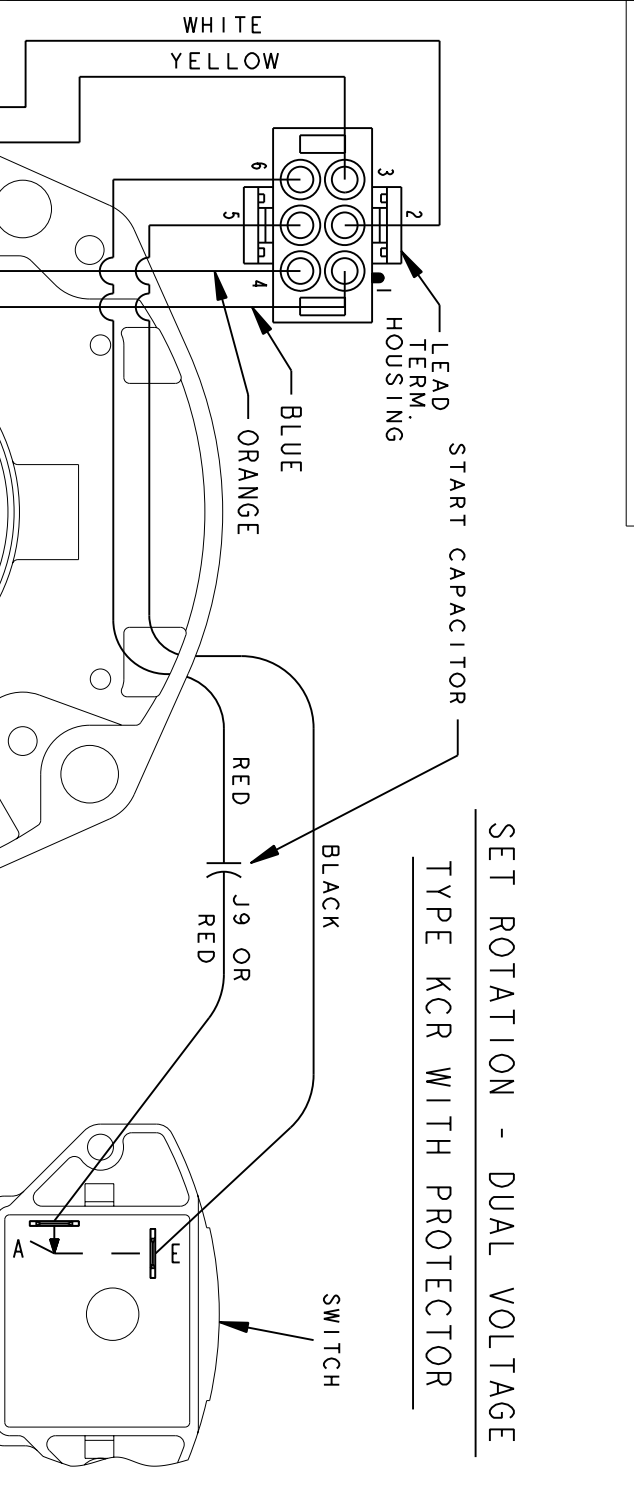
2	KCR	39	56J	14.86	12.23	8.17	2.50	8.43	2.10	7.75
1	KCR	39	56J	13.98	11.35	7.29	1.63	8.43	2.10	6.87
P	TYPE	GE SIZE	NEMA FR	C	AG	XH	XS	XO	XR	SHELL REF.

				TOLERANCES UNLESS SPECIFIED		<b>REGAL-BELOIT CORPORATION</b>				DRAWN MAM 11/08/93	
				DEC.	INCHES					CHK	
				.X	±.1	APPD MAM 11/08/93					
3	JET/POOL IS REPLACED BY JET PUMP PER ECO-0033464	PVR 05/16/13	DS	.XX	±.03	TITLE OUTLINE 2 COMPARTMENT UPGRADE 56J - JET PUMP - WELD BASE				SCALE 3=8	
2	CHG TO RBC FORMAT PER ISO5-1777	SUD 03/13/06		.XXX	±.005	MAT'L.				REF	
1	REV. DIM. "XO" WAS 4.74	MAM 11/24/93		.XXXX	±.0005	FINISH				PREV	
NO.	REVISION	BY & DATE	CHK	ANG	±1/2'	CAD FILE 52A109358		SIZE A	DRAWING NO. 52A109358		REV. 3

THIS DRAWING IN DESIGN AND DETAIL IS OUR PROPERTY AND MUST NOT BE USED EXCEPT IN CONNECTION WITH OUR WORK ALL RIGHTS OF DESIGN AND INVENTION ARE RESERVED THIS IS AN ELECTRONICALLY GENERATED DOCUMENT - DO NOT SCALE THIS PRINT



REV.	DESCRIPTION	DATE	APPROVED
3	UPDATED TO RBC FORMAT	01/11/06	MAM



NOTE#1 - HI VOLTAGE SHOWN FOR LOW VOLTAGE  
 ROTATE VOLTAGE CHANGE PLUG TO LO POSITION.

CONNECTION LABEL - 52X333027AA

SIGNATURES	DATE
MODEL B.L.J.	07/21/92
DETAIL	
CHECKED	
ENGRG	
MFG	
QUALITY	
ISSUED	B.L.J. 07/21/92
MATERIAL	SOLID MODEL: 52A106890

**REGAL-BELOIT CORPORATION**

**REGAL-BELOIT**

**REGAL-BELOIT CORPORATION**

**CONNECTION DIAGRAM**

**FME: 2 COMPARTMENT DUAL VOLT, SET ROTATION**

SIZE: DRAWING A

SCALE: 1.000 REF. No.:

**52A106890**

REV 3